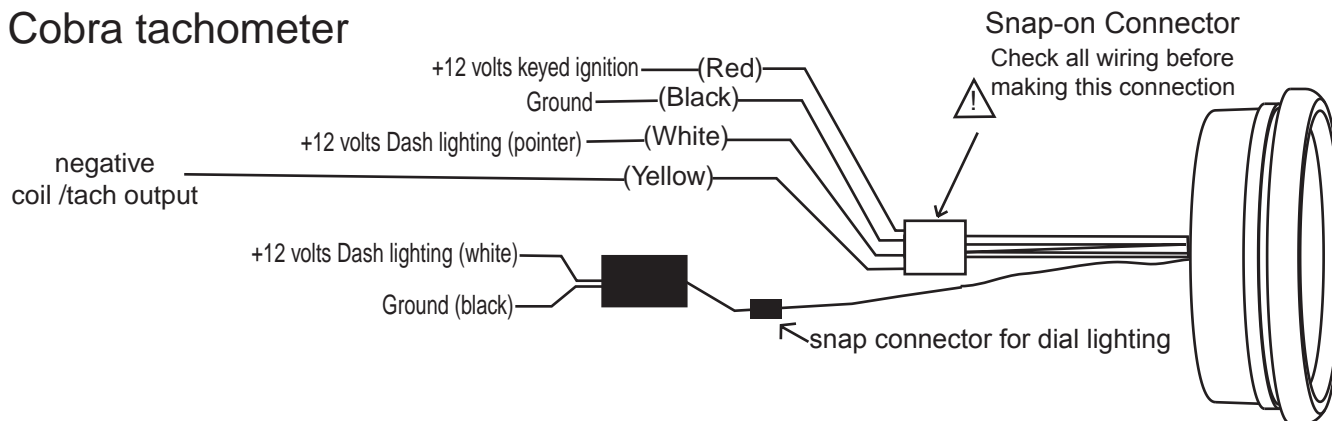


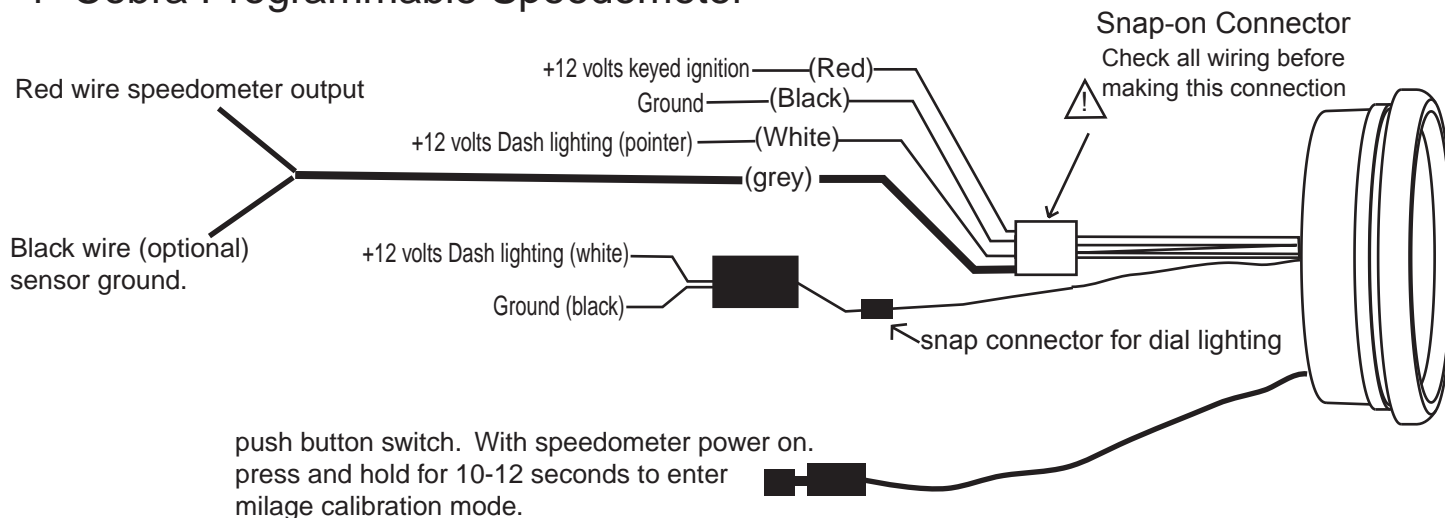
Tach and Speedometer instructions

by  Revolution

4" Cobra tachometer



4" Cobra Programmable Speedometer



1. Disconnect negative (-) Battery Cable

2. Connect wiring as above.

3. Mount Gauge for easy viewing. Use spin lock ring (included) to mount to panel. Spin ring threads in both directions (depending on your dash panel thickness). Snap Gauge connector to wiring connector

4. Reconnect negative (-) battery cable.